

# XML message for Direct Debit Reversal (or Cancel) Implementation Guidelines

Version 1.0

## Table of Contents

XML message for Direct Debit Reversal (or Cancel).....	1
Table of Contents .....	2
1 Introduction.....	4
1.1 Message Coverage.....	5
1.2 Use of these Guidelines .....	6
1.3 Character Set .....	7
1.4 Message Structure .....	7
1.5 Table .....	8
2 Message description.....	12
1.0 Group Header .....	12
1.1 Message Identification .....	13
1.2 Creation Date Time.....	13
1.4 Batch Booking .....	14
1.5 Number Of Transactions.....	14
1.8 Initiating Party .....	15
1.11 Creditor Agent .....	17
2.0 Original Group Information .....	18
2.1 Original Message Identification.....	18
2.2 Original Message Name Identification .....	19
2.4 Reversal Reason Information.....	19
2.6 Reversal Reason.....	20
2.7 Code .....	20
2.8 Proprietary.....	20
3.0 Transaction Information .....	21
3.1 Reversal Identification .....	22
3.2 Original Payment Information Identification.....	22
3.3. OriginalInstructionIdentification .....	22
3.4 Original End To End Identification .....	23
3.5 Original Instructed amount .....	23
3.6 Reversed Instructed Amount.....	24
3.8 Reversal Reason Information.....	25
3.10 Reversal Reason.....	26
3.11 Code .....	27
3.12 Proprietary.....	27
3.14 Original Transaction Reference .....	28
3.23 Requested Collection Date .....	29
3.24 Creditor Scheme Identification.....	30

3.37	Payment Type Information .....	31
3.39	Service Level .....	32
3.40	Code .....	33
3.43	Local Instrument .....	34
3.44	Code .....	35
3.46	Sequence Type .....	35
3.47	CategoryPurpose .....	36
3.49	Mandate Related Information .....	37
3.50	Mandate Identification .....	37
3.51	Date Of Signature .....	38
3.52	Amendment Indicator .....	38
3.53	Amendment Information Details .....	39
3.54	Original Mandate Identification .....	39
3.55	Original Creditor Scheme Identification .....	40
3.59	Original Debtor Account .....	41
3.60	Original Debtor Agent .....	41
3.64	Electronic Signature .....	42
3.68	Remittance Information .....	43
3.69	Unstructured .....	44
3.70	Structured .....	44
3.84	Creditor Reference Information .....	44
3.85	Creditor Reference Type .....	46
3.86	Code .....	46
3.88	Issuer .....	47
3.89	Creditor Reference .....	47
3.93	Ultimate Debtor .....	48
3.94	Debtor .....	49
3.95	Debtor Account .....	50
3.96	Debtor Agent .....	51
3.98	Creditor Agent .....	52
3.100	Creditor .....	53
3.101	Creditor Account .....	54
3.102	Ultimate Creditor .....	55
4	Examples .....	56
4.1	Example 1 of Reversal/Cancel .....	56
4.2	Example 2 : Reversal/Cancel of Recurrent Direct Debit .....	60

## 1 Introduction

This document sets out the rules for implementing the XML Customer Direct Debit Reversal message UNIFI (ISO20022 PAIN 007.001.01) (BIG SDDR).

Users of this document should refer to Direct Debit Initiation Implementation Guidelines published by Febelfin when they have questions regarding the initial instruction. The purpose of these Implementation Guidelines is to provide guidance on the use of the Direct Debit Reversal Message sent to Banks, residing in Belgium, and covers European Direct Debits (SEPA) reversal and cancellation instructions.

This version 1.0 complies with the SEPA Business-to-Business Direct Debit Scheme Customer-to-Bank Implementation Guidelines v1.3 and the SEPA Core Direct Debit Scheme Customer-to-Bank Implementation Guidelines v3.4 of the European Council of Payments (EPC).

This standard version 1.0 can be used as of 01/11/2009. However, version 2.x is recommended for use as from 1/11/2010.

This text of version 1.0 is not available in Dutch and French. Later versions will be available in Dutch and French.

These Implementation Guidelines have been developed by the Belgian Bankers' and Stockbrokers' Association – Febelfin. The utmost has been done to make sure the information in this publication is correct. However, Febelfin can be by no means be held responsible for any loss or damage incurred to any incorrect or incomplete information as described in this publication.

## 1.1 Message Coverage

The Customer Direct Debit Reversal message is sent by the creditor to the creditor agent.

The message can also be used by an initiating party that has authority to send the message on behalf of the creditor. This caters for example for the scenario of a payments factory initiating all payments on behalf of a large corporate.

### Scope

The Customer Payment Reversal message is sent by the initiating party to the next party in the payment chain. It is used to reverse or cancel a payment previously executed, which means in this context a Direct Debit instructions sent by a creditor to the bank of the Creditor (Creditor Agent).

### Usage

The Customer Payment Reversal message is exchanged between a non-financial institution customer and an agent to reverse a Customer Direct Debit Initiation message that has been settled. The result will be a credit on the debtor account.

Belgian banks offering the possibility to use of the PAIN 007.001.01 for the reversal, can possibly also accept this type of files to process Cancellations requests. Contact your bank in order to find out if they offer this functionality.

The message pain.006.001.01 (Payment Cancellation Request) is not supported by Belgian banks.

The Customer Payment Reversal message refers to the original Customer Direct Debit Initiation message by means of references and a set of elements from the original instruction.

## 1.2 Use of these Guidelines

Each item of the Direct Debit Reversal message refers to the corresponding index of the item in the UNIFI (ISO 20022) Message Definition Report for Payment Standards – Initiation. This Report can be found on [www.iso20022.org](http://www.iso20022.org), under “Catalogue of UNIFI messages”, with “pain.007.001.01” as reference.

The description of each message item contains:

Index	Number that refers to the corresponding description in the UNIFI (ISO 20022) Message Definition Report for Payment Standards – Initiation
Definition	This contains the definition of the message block or element
Usage	Additional info how this element must be used
XML Tag	Short name that identifies an element within an XML message, that is put between brackets, e.g. <Amount>
Occurrences	<p>This indicates whether an element is optional or mandatory and how many times the element can be repeated. The number of occurrences is shown in square brackets</p> <p>For example:</p> <p>[0..1] shows that the element can be present 0 times or 1 time. The element is optional</p> <p>[1..1] shows that the element can be present only 1 time. The element is mandatory</p> <p>[1..n] shows that the element is mandatory and can be present 1 to n times</p> <p>An element, that is part of a block of elements, is mandatory as far as the block it is part of, is present in the message.</p> <p>If only one of several elements may be present, this is indicated by {OR ... OR} before the elements concerned</p>
Level	Gives the level of the element in the XML tree.
Format	This specifies the permitted values and format Remark: if a tag is used, the correspondent data field may not be left empty. At least one character has to be filled in.
Rules	Any specific rules that could impact the presence or the values of an element

Any gaps in the index numbering are due to the fact that certain message elements of the UNIFI message are not supported. The occurrences of a message element (mandatory/optional) can also differ between these guidelines and the UNIFI (ISO20022) Message Definition.

Message elements not described in these guidelines may not be supported by your bank and might even lead to a rejection of your entire message. Please contact your bank to check if such elements are supported.

### 1.3 Character Set

The Latin character set, commonly used in international communication, must be used.

It contains the following characters:

a b c d e f g h i j k l m n o p q r s t u v w x y z

A B C D E F G H I J K L M N O P Q R S T U V W X Y Z

0 1 2 3 4 5 6 7 8 9

/ - ? : ( ) . , ' +

Space

Note to programmers: The usage of CDATA in XML is not admitted. Files with CDATA will be refused by the bank.

### 1.4 Message Structure

XSD: [pain.007.001.01CustomerPaymentReversalV01](#)

A Customer Payment Reversal Message starts with

```
<?xml version="1.0" encoding="UTF-8"?>
```

```
<Document xmlns="urn:iso:std:iso:20022:tech:xsd:pain.007.001.01"
xmlns:xsi="http://www.w3.org/2001/XMLSchema-instance">
```

```
<pain.007.001.01>
```

and ends with:

```
</pain.007.001.01> </Document>
```

A message contains a single Document element, containing a single pain.007.001.01 element.

The Customer Payment Reversal message is composed of 3 building blocks:

#### A. Group Header

This building block is mandatory and present once. It contains elements such as Message Identification, Creation Date and Time.

#### B. Original Group Information

This building block is mandatory and present once. It contains elements such as Original Message Identification, Original Message Name Identification.

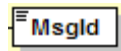
#### C. Transaction Information

This building block is mandatory and repetitive (at least one occurrence must appear).

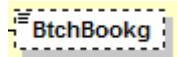
It contains elements referencing the original instruction (e.g. OriginalEndToEnd Identification, OriginalInstructedAmount), elements relating to the CustomerPaymentReversal

(e.g. ReversedInstructedAmount, ReversalReasonInformation). The TransactionInformation block may also transport a set of elements from the original instruction.

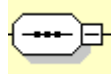
Legend:



Box with full-line is a mandatory Message Element



Box with dotted line is an optional Message Element



The Child Elements must appear in the sequence mentioned



Only one of the possible Child Elements may be present (choice)

## 1.5 Table

Index	Occ.	LongNames	Tag	Level
1.0	[1..1]	+ GroupHeader	GrpHdr	1
1.1	[1..1]	++ MessageIdentification	MsgId	2
1.2	[1..1]	++ CreationDateTime	CreDtTm	2
1.4	[0..1]	++ BatchBooking	BtchBookg	2
1.5	[1..1]	++ NumberOfTransactions	NbOfTxs	2
1.8	[1..1]	++ InitiatingParty	InitgPty	2
	[0..1]	+++ Name	Nm	3
	[0..1]	+++ Identification	Id	3
	[1..1]	++++ OrganisationIdentification	OrgId	4
	[0..1]{Or	+++++ Business Entity Identifier (BEI)	BEI	5
	[0..1]Or	+++++ Tax Identification Number	TaxIdNb	5
	[0..1] Or}	+++++ Proprietary Identification	PrtryId	5
	[1..1]	+++++ Identification	Id	6
	[0..1]	+++++ Issuer	Issr	6
1.11	[0..1]	++ CreditorAgent	CdtrAgt	2
	[1..1]	+++ FinancialInstitutionIdentification	FinInstnId	3
	[1..1]	++++ BIC	BIC	4
2.0	[1..1]	+ OriginalGroupInformation	OrgnlGrpInf	1
2.1	[1..1]	++ OriginalMessageIdentification	OrgnlMsgId	2
2.2	[1..1]	++ OriginalMessageNameIdentification	OrgnlMsgNmId	2
2.4	[0..1]	++ ReversalReasonInformation	RvslRsnInf	2
2.6	[1..1]	+++ ReversalReason	RvslRsn	3
2.7	[1..1]	++++ Code	Cd	4
2.8	[1..1]	++++ Proprietary	Prtry	4
3.0	[1..n]	+ TransactionInformation	TxInf	1
3.1	[1..1]	++ ReversalIdentification	RvslId	2



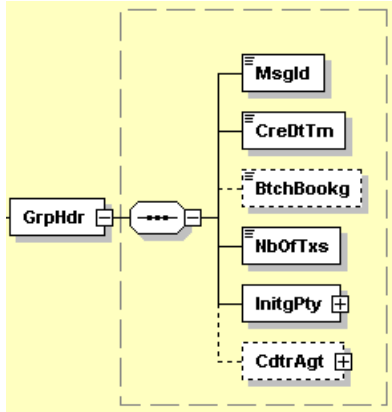
Index	Occ.	LongNames	Tag	Level
3.2	[0..1]	++ OriginalPaymentInformationIdentification	OrgnPmtInfId	2
3.3	[0..1]	++ OriginalInstructionIdentification	OrgnInstrId	2
3.4	[1..1]	++ OriginalEndToEndIdentification	OrgnEndToEndId	2
3.5	[1..1]	++ OriginalInstructedAmount	OrgnInstdAmt	2
3.6	[1..1]	++ ReversedInstructedAmount	RvsdInstdAmt	2
3.8	[0..1]	++ ReversalReasonInformation	RvslRsnInf	2
3.10	[1..1]	+++ ReversalReason	RvslRsn	3
3.11	[1..1]	++++ Code	Cd	4
3.12	[1..1]	++++ Proprietary	Prtry	4
3.14	[1..1]	++ OriginalTransactionReference	OrgnTxRef	2
3.23	[1..1]	+++ RequestedCollectionDate	ReqdColltnDt	3
3.24	[1..1]	+++ CreditorSchemeIdentification	CdtrSchmeId	3
	[1..1]	++++ Identification	Id	4
	[1..1]	+++++ PrivateIdentification	PrvtId	5
	[1..1]	++++++ OtherIdentification	OthrId	6
	[1..1]	+++++++ Identification	Id	7
	[1..1]	+++++++ IdentificationType	IdTp	7
3.37	[1..1]	+++ PaymentTypeInformation	PmtTpInf	3
3.39	[1..1]	++++ ServiceLevel	SvcLvl	4
3.40	[1..1]	+++++ Code	Cd	5
3.43	[1..1]	++++ Local Instrument	LclInstrm	4
3.44	[1..1]	+++++Code	Cd	5
3.46	[1..1]	++++ SequenceType	SeqTp	4
3.47	[0..1]	++++ CategoryPurpose	CtgyPurp	4
3.49	[1..1]	+++ MandateRelatedInformation	MndtRltdInf	3
3.50	[1..1]	++++ MandateIdentification	MndtId	4
3.51	[1..1]	++++ DateOfSignature	DtOfSgnt	4
3.52	[0..1]	++++ AmendmentIndicator	AmdmntInd	4
3.53	[0..1]	++++ AmendmentInformationDetails	AmdmntInfDtls	4
3.54	[0..1]	+++++ OriginalMandateIdentification	OrgnMndtId	5
3.55	[0..1]	+++++ OriginalCreditorSchemeIdentification	OrgnCdtrSchmeId	5
	[0..1]	+++++ Name	Nm	6
	[0..1]	+++++ Identification	Id	6
	[1..1]	+++++ PrivateIdentification	PrvtId	7
	[1..1]	+++++ OtherIdentification	OthrId	8
	[1..1]	+++++ Identification	Id	9
	[1..1]	+++++ IdentificationType	IdTp	9
3.59	[0..1]	+++++ Original Debtor Account	OrgnDbtrAcct	5
	[1..1]	+++++ Identification	Id	6

Index	Occ.	LongNames	Tag	Level
	[1..1]	+++++++ IBAN	IBAN	7
3.60	[0..1]	+++++ Original Debtor Agent	OrgnIDbtrAgt	5
	[1..1]	+++++++ FinancialInstitutionIdentification	FinInstnId	6
	[1..1]	+++++++ Proprietary ID	PrtryId	7
	[1..1]	+++++++ ID	Id	8
3.64	[0..1]	++++ElectronicSignature	ElctrcSgntr	4
3.68	[0..1]	+++ RemittanceInformation	RmtInf	3
3.69	[0..1] {Or	++++ Unstructured	Ustrd	4
3.70	[0..1] Or}	++++ Structured	Strd	4
3.84	[1..1]	+++++ CreditorReferenceInformation	CdtrRefInf	5
3.85	[1..1]	+++++++ CreditorReferenceType	CdtrRefTp	6
3.86	[1..1]	+++++++ Code	Cd	7
3.88	[1..1]	+++++++ Issuer	Issr	7
3.89	[1..1]	+++++++ CreditorReference	CdtrRef	6
3.93	[0..1]	+++ UltimateDebtor	UltmtDbtr	3
	[0..1]	++++ Name	Nm	4
	[0..1]	++++ Identification	Id	4
	[1..1]	+++++ Organization Identification	OrgId	5
	[0..1]{Or	+++++++ Business Entity Identifier (BEI)	BEI	5
	[0..1]Or	+++++++ Tax Identification Number	TaxIdNb	5
	[0..1] Or}	+++++++ Proprietary Identification	PrtryId	5
	[1..1]	+++++++ Identification	Id	6
	[0..1]	+++++++ Issuer	Issr	6
3.94	[1..1]	+++ Debtor	Dbtr	3
	[0..1]	++++ Name	Nm	4
	[0..1]	++++ PostalAddress	PstlAdr	4
	[0..2]	+++++ AddressLine	AdrLine	5
	[1..1]	+++++ Country	Ctry	5
	[0..1]	++++ Identification	Id	4
	[1..1]	+++++ Organization Identification	OrgId	5
	[0..1]{Or	+++++++ Business Entity Identifier (BEI)	BEI	5
	[0..1]Or	+++++++ Tax Identification Number	TaxIdNb	5
	[0..1] Or}	+++++++ Proprietary Identification	PrtryId	5
	[1..1]	+++++++ Identification	Id	6
	[0..1]	+++++++ Issuer	Issr	6
3.95	[1..1]	+++ DebtorAccount	DbtrAcct	3
	[1..1]	++++ Identification	Id	4
	[1..1]	+++++ IBAN	IBAN	5
3.96	[1..1]	+++ DebtorAgent	DbtrAgt	3

Index	Occ.	LongNames	Tag	Level
	[1..1]	++++ FinancialInstitutionIdentification	FinInstnId	4
	[1..1]	+++++ BIC	BIC	5
3.98	[1..1]	+++ CreditorAgent	CdtrAgt	3
	[1..1]	++++ FinancialInstitutionIdentification	FinInstnId	4
	[1..1]	+++++ BIC	BIC	5
3.100	[1..1]	+++ Creditor	Cdtr	3
	[1..1]	++++ Name	Nm	4
	[0..1]	++++ Postal Adress	PstlAdr	4
	[0..2]	+++++ AddressLine	AdrLine	5
	[1..1]	+++++ Country	Ctry	5
3.101	[1..1]	+++ CreditorAccount	CdtrAcct	3
	[1..1]	++++ Identification	Id	4
	[1..1]	+++++ IBAN	IBAN	5
3.102	[0..1]	+++ UltimateCreditor	UltmtCdtr	3
	[0..1]	++++ Name	Nm	4
	[0..1]	++++ Identification	Id	4
	[1..1]	+++++ Organization Identification	OrgId	5
	[0..1]{Or	+++++ Business Entity Identifier (BEI)	BEI	5
	[0..1]Or	+++++ Tax Identification Number	TaxIdNb	5
	[0..1] Or}	+++++ Proprietary Identification	PrtryId	5
	[1..1]	+++++ Identification	Id	6
	[0..1]	+++++ Issuer	Issr	6

## 2 Message description

### 1.0 Group Header



**Definition :** Set of characteristics shared by all individual transactions included in the message.

**XML Tag :** <GrpHdr>

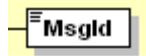
**Occurrences :** [1..1]

**Level :** 1

**Format :** TAG - This message item is composed of the following elements.

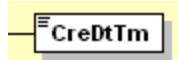
Index	Occ.	LongNames	Tag	Level
1.0	[1..1]	+ GroupHeader	GrpHdr	1
1.1	[1..1]	++ MessageIdentification	MsgId	2
1.2	[1..1]	++ CreationDateTime	CreDtTm	2
1.4	[0..1]	++ BatchBooking	BtchBookg	2
1.5	[1..1]	++ NumberOfTransactions	NbOfTxs	2
1.8	[1..1]	++ InitiatingParty	InitgPty	2
1.11	[0..1]	++ CreditorAgent	CdtrAgt	2

## 1.1 Message Identification



- Definition :** Point to point reference assigned by the instructing party and sent to the next party in the chain to unambiguously identify the message.
- Usage :** The instructing party has to make sure that 'MessageIdentification' is unique Per instructed party for a pre-agreed period.
- Index :** 1.1
- XML Tag :** <MsgId>
- Occurrences :** [1..1]
- Level :** 2
- Format :** Max35Text

## 1.2 Creation Date Time



- Definition :** Date and time at which the reversal instruction was created by the instructing party.
- XML Tag :** <CreDtTm>
- Occurrences :** [1..1]
- Level :** 2
- Format :** YYYY-MM-DDThh:mm:ss

## 1.4 Batch Booking



**Definition :** Identifies whether a single entry per individual transaction or a batch entry for the sum of the amounts of all transactions in the message is requested.

**XML Tag :** <BtchBookg>

**Occurences :** [0..1]

**Level :** 2

**Format :** true or false

**Usage :** Default and recommended value is true

## 1.5 Number Of Transactions



**Definition :** Number of individual transactions contained in the message.

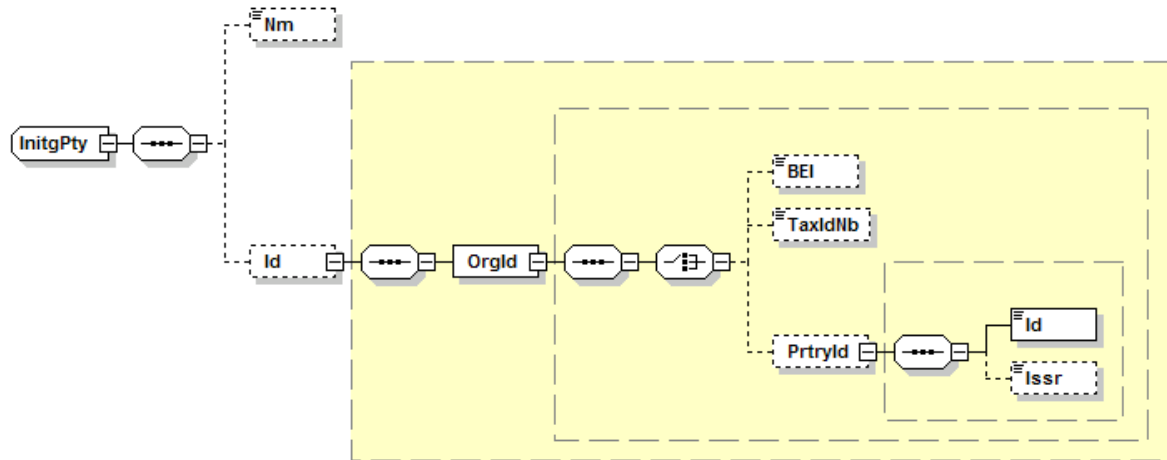
**XML Tag :** <NbOfTxS>

**Occurences :** [1..1]

**Level :** 2

**Format :** Max15NumericText

## 1.8 Initiating Party



**Definition :** Party initiating the payment. This can either be creditor or the party that initiates the payment on behalf of the creditor.

**Index :** 1.8

**XML Tag :** <InitgPty>

**Occurrences :** [1..1]

**Level :** 2

**Format :** TAG - This message item is composed of the following elements.

Index	Occ.	LongNames	Tag	Level
1.8	[1..1]	++ Initiating Party	InitgPty	2
	[0..1]	+++ Name	Nm	3
	[0..1]	+++ Identification	Id	3
	[1..1]	++++ OrganisationIdentification	OrgId	4
	[0..1]{Or	+++++ Business Entity Identifier (BEI)	BEI	5
	[0..1]Or	+++++ Tax Identification Number	TaxIdNb	5
	[0..1]Or}	+++++ Proprietary Identification	PrtryId	5
	[1..1]	+++++ Identification	Id	6
	[0..1]	+++++ Issuer	Issr	6

**Usage :**

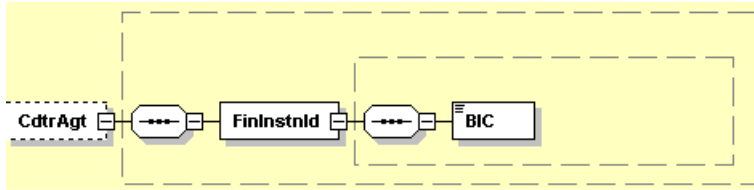
- Either Name or Identification, or both, must be used.
- For Belgian companies, Identification (within Proprietary Identification) has to contain the Enterprise Number (10 digits) and as Issuer "KBO-BCE".

**Example :**

```
<InitgPty>
  <Nm>Cobelfac</Nm>
  <Id>
    <OrgId>
      <PrtyId>
        <Id>0468651441</Id>
        <Issr>KBO-BCE</Issr>
      </PrtyId>
    </OrgId>
  </Id>
</InitgPty>
```



## 1.11 Creditor Agent



**Definition :** Financial institution servicing an account for the creditor.

**XML Tag :** <CdtrAgt>

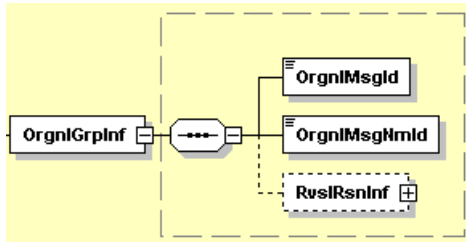
**Occurences :** [0..1]

**Level :** 2

**Format :** TAG- This message item is composed of the following elements.

Index	Occ.	LongNames	Tag	Level
1.11	[0..1]	++ CreditorAgent	CdtrAgt	2
	[1..1]	+++ FinancialInstitutionIdentification	FinInstnId	3
	[1..1]	++++ BIC	BIC	4

## 2.0 Original Group Information



**Definition :** Information concerning the original group of transactions, to which the message refers.

**XML Tag :** <OrgnlGrpInf>

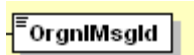
**Occurrences :** [1..1]

**Level :** 1

**Format :** TAG - This message item is composed of the following elements.

Index	Occ.	LongNames	Tag	Level
2.0	[1..1]	+ OriginalGroupInformation	OrgnlGrpInf	1
2.1	[1..1]	++ OriginalMessageIdentification	OrgnlMsgId	2
2.2	[1..1]	++ OriginalMessageNameIdentification	OrgnlMsgNmId	2
2.4	[0..1]	++ ReversalReasonInformation	RvslRsnInf	2

## 2.1 Original Message Identification



**Definition :** Point to point reference assigned by the original instructing party to unambiguously identify the original group of individual transactions.

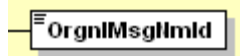
**XML Tag :** <OrgnlMsgId>

**Occurrences :** [1..1]

**Level :** 2

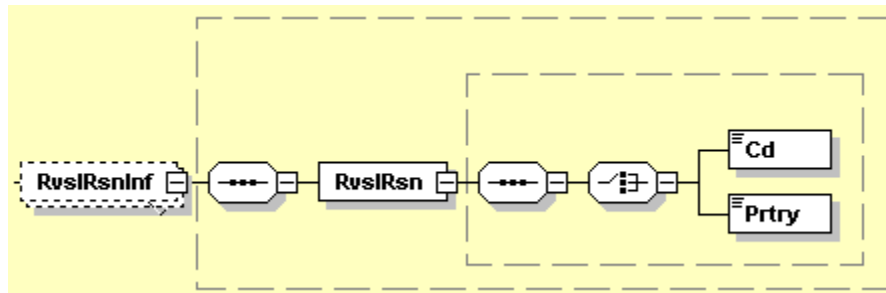
**Format :** Max35Text

## 2.2 Original Message Name Identification



- Definition :** Specifies the original message name identifier to which the message refers.
- XML Tag :** <OrgnlMsgNmId>
- Occurrences :** [1..1]
- Level :** 2
- Format :** Max35Text
- Usage :** Must contain "pain.008.001.01"

## 2.4 Reversal Reason Information

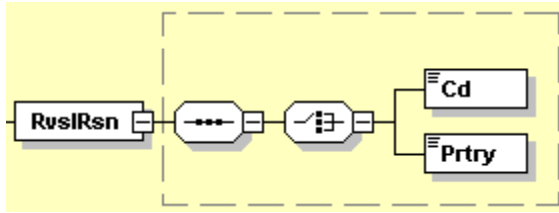


- Definition :** Detailed information on the reversal reason.
- XML Tag :** <RvsIRsnInf>
- Occurrences :** [0..1]
- Level :** 2
- Format :** TAG - This message item is composed of the following elements.

Index	Occ.	LongNames	Tag	Level
2.4	[0..1]	++ ReversalReasonInformation	RvsIRsnInf	2
2.6	[1..1]	+++ ReversalReason	RvsIRsn	3
2.7	[1..1]	++++ Code	Cd	4
2.8	[1..1]	++++ Proprietary	Prtry	4

- Usage :** Must be present at least at one of the two levels, Group level or at Transaction level (3.8).

## 2.6 Reversal Reason



**Definition :** Specifies the reason for the reversal or cancellation.

**XML Tag :** <RvsIRsn>

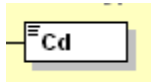
**Occurrences :** [1..1]

**Level :** 3

**Format :** TAG - This message item is composed of the following elements.

Index	Occ.	LongNames	Tag	Level
2.6	[1..1]	++ ReversalReason	RvsIRsn	3
2.7	[1..1]	+++ Code	Cd	4
2.8	[1..1]	+++ Proprietary	Prtry	4

## 2.7 Code



**Definition :** Reason for the reversal or cancellation in a coded form.

**XML Tag :** <Cd>

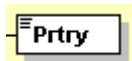
**Occurrences :** [1..1]

**Level :** 4

**Format :** Code : AM05

AM05 (Duplication) This message appears to have been duplicated.

## 2.8 Proprietary



**Definition :** Reason for the reversal not catered for by the available codes.

**XML Tag :** <Prtry>

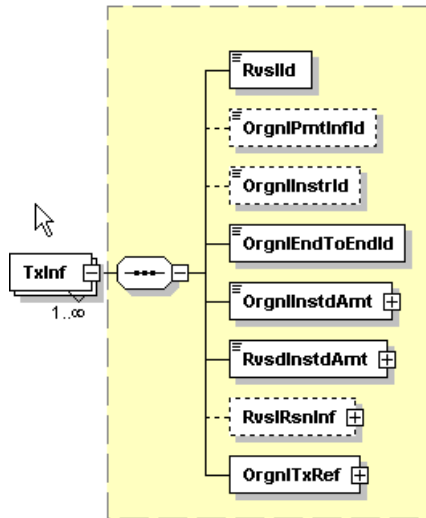
**Occurrences :** [1..1]

**Level :** 4

**Format :** Code : MS02

MS02 Not Specified Reason

### 3.0 Transaction Information



**Definition :** Information concerning the original transactions, to which the reversal or cancellation message refers.

**XML Tag :** <TxInf>

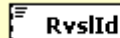
**Occurrences :** [1..n]

**Level :** 1

**Format :** TAG - This message item is composed of the following elements.

Index	Occ.	LongNames	Tag	Level
3.0	[1..n]	+ TransactionInformation	TxInf	1
3.1	[1..1]	++ ReversalIdentification	RvsId	2
3.2	[0..1]	++ OriginalPaymentInformationIdentification	OrgnlPmtInfId	2
3.3	[0..1]	++ OriginalInstructionIdentification	OrgnlInstrId	2
3.4	[1..1]	++ OriginalEndToEndIdentification	OrgnlEndToEndId	2
3.5	[1..1]	++ OriginalInstructedAmount	OrgnlInstdAmt	2
3.6	[1..1]	++ ReversedInstructedAmount	RvsdInstdAmt	2
3.8	[0..1]	++ ReversalReasonInformation	RvsIRsnInf	2
3.14	[1..1]	++ OriginalTransactionReference	OrgnlTxRef	2

### 3.1 Reversal Identification



**Definition :** Unique identification as assigned by an instructing party for an instructed party to unambiguously identify the reversed transaction.

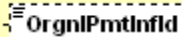
**XML Tag :** <RvslId>

**Occurrences :** [1..1]

**Level :** 2

**Format :** Max35Text

### 3.2 Original Payment Information Identification



**Definition :** Unique and unambiguous identifier of the original payment information block as assigned by the original sending party.

**XML Tag :** <OrgnlPmtInfId>

**Occurrences :** [0..1]

**Level :** 2

**Format :** Max35Text

### 3.3. Original Instruction Identification



**Definition :** Original unique instruction identification as assigned by an instructing party for an instructed party to unambiguously identify the original instruction.

**Usage:** the original instruction identification is the original point to point reference used between the instructing party and the instructed party to refer to the original instruction.

**XML Tag :** < OrgnlInstrId>

**Occurrences :** [0..1]

**Level :** 2

**Format :** Max35Text

### 3.4 Original End To End Identification



**Definition :** Original unique identification assigned by the initiating party to unambiguously identify the original transaction. This identification is passed on, unchanged, throughout the entire end-to-end chain.

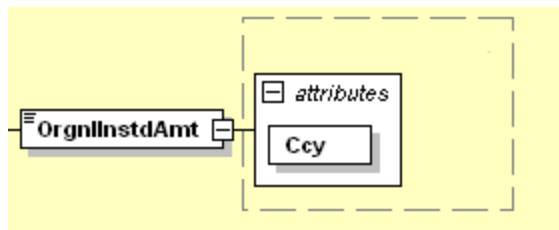
**XML Tag :** <OrgnlEndToEndId>

**Occurrences :** [1..1]

**Level :** 2

**Format :** Max35Text

### 3.5 Original Instructed amount



**Definition :** Amount of money to be moved between the debtor and the creditor, before deduction of charges, expressed in the currency as ordered by the initiating party in the original transaction.

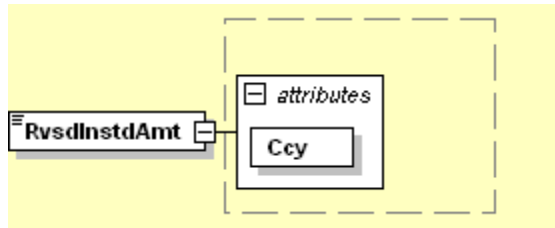
**XML Tag :** <OrgnlInstdAmt>

**Occurrences :** [1..1]

**Level :** 2

**Format :** Max. 11 digits of which 2 for the fractional part. Decimal separator is "." Currency "EUR" is explicit, and included in the XML tag.

### 3.6 Reversed Instructed Amount



**Definition :** Amount of money to be moved between the debtor and the creditor, before deduction of charges, in the reversed transaction.

**XML Tag :** `<RvsdInstdAmt>`

**Occurrences :** [1..1]

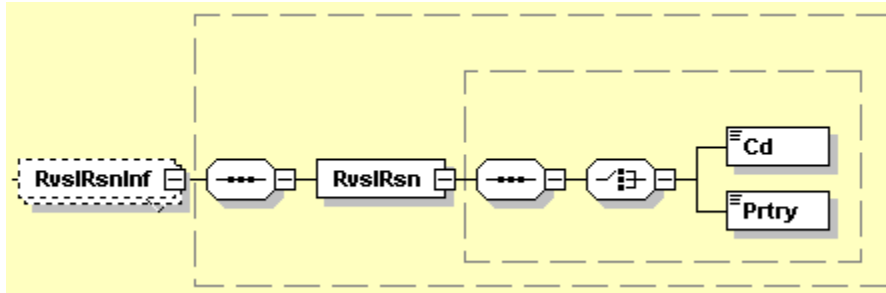
**Level :** 2

**Format :** Max. 11 digits of which 2 for the fractional part. Decimal separator is "." Currency "EUR" is explicit, and included in the XML tag.

**Usage :** Must be the same as Original Instructed Amount (3.5)



### 3.8 Reversal Reason Information



**Definition :** Detailed information on the reversal reason.

**XML Tag :** <RvslRsnInf>

**Occurrences :** [0..1]

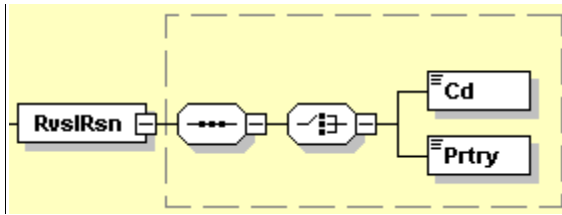
**Level :** 2

**Format :** TAG - This message item is composed of the following elements.

Index	Occ.	LongNames	Tag	Level
3.8	[0..1]	++ ReversalReasonInformation	RvslRsnInf	2
3.10	[1..1]	+++ ReversalReason	RvslRsn	3
3.11	[1..1]	++++ Code	Cd	4
3.12	[1..1]	++++ Proprietary	Prtry	4

**Usage :** Must be present at least at one of the two levels, Group level (2.4) or at Transaction level.

### 3.10 Reversal Reason



**Definition :** Specifies the reason for the reversal or cancel.

**XML Tag :** <RvsIRsn>

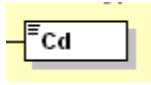
**Occurrences :** [1..1]

**Level :** 3

**Format :** TAG - This message item is composed of the following elements.

Index	Occ.	LongNames	Tag	Level
3.10	[1..1]	+++ ReversalReason	RvsIRsn	3
3.11	[1..1]	++++ Code	Cd	4
3.12	[1..1]	++++ Proprietary	Prtry	4

### 3.11 Code



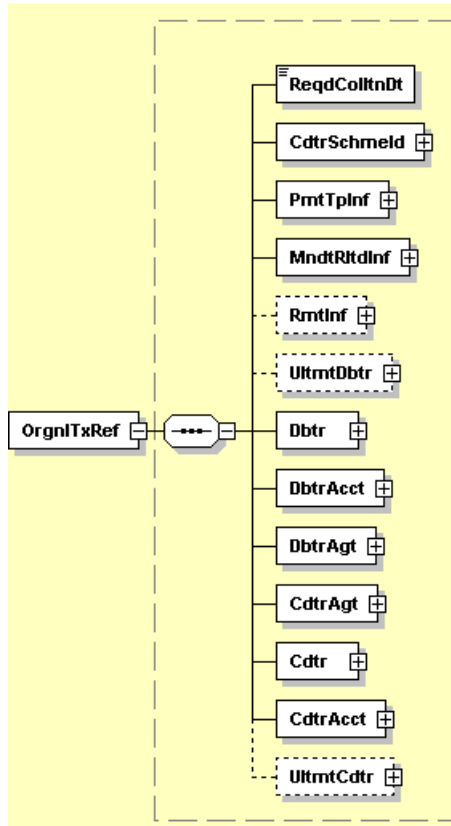
- Definition :** Reason for the reversal or cancellation in a coded form.
- XML Tag :** <Cd>
- Occurrences :** [1..1]
- Level :** 4
- Format :** Code : AM05  
AM05 (Duplication) This message appears to have been duplicated.

### 3.12 Proprietary



- Definition :** Reason for the reversal not catered for by the available codes.
- XML Tag :** <Prtry>
- Occurrences :** [1..1]
- Level :** 4
- Format :** Code : MS02  
MS02 Not Specified Reason

### 3.14 Original Transaction Reference



**Definition :** Set of key elements of the original transaction being referred to.

**XML Tag :** <OrgnlTxRef>

**Occurrences :** [1..1]

**Level :** 2

**Format :** TAG - This message item is composed of the following elements.

Index	Occ.	LongNames	Tag	Level
3.14	[1..1]	++ OriginalTransactionReference	OrgnlTxRef	2
3.23	[1..1]	+++ RequestedCollectionDate	ReqdColltnDt	3
3.24	[1..1]	+++ CreditorSchemeIdentification	CdtrSchmeld	3
3.37	[1..1]	+++ PaymentTypeInformation	PmtTplnf	3
3.49	[1..1]	+++ MandateRelatedInformation	MndtRltdInf	3
3.68	[0..1]	+++ RemittanceInformation	RmtInf	3
3.93	[0..1]	+++ UltimateDebtor	UltmtDbtr	3
3.94	[1..1]	+++ Debtor	Dbtr	3
3.95	[1..1]	+++ DebtorAccount	DbtrAcct	3
3.96	[1..1]	+++ DebtorAgent	DbtrAgt	3

3.98	[1..1]	+++ CreditorAgent	CdtrAgt	3
3.100	[1..1]	+++ Creditor	Cdtr	3
3.101	[1..1]	+++ CreditorAccount	CdtrAcct	3
3.102	[0..1]	+++ UltimateCreditor	UltmtCdtr	3

**Usage :** The message elements under 'Original Transaction Reference' must be populated with the same value as the message elements of the original instruction, as defined within the following elements.

### 3.23 Requested Collection Date



**Definition :** Date at which the creditor requests the amount of money to be collected from the debtor.

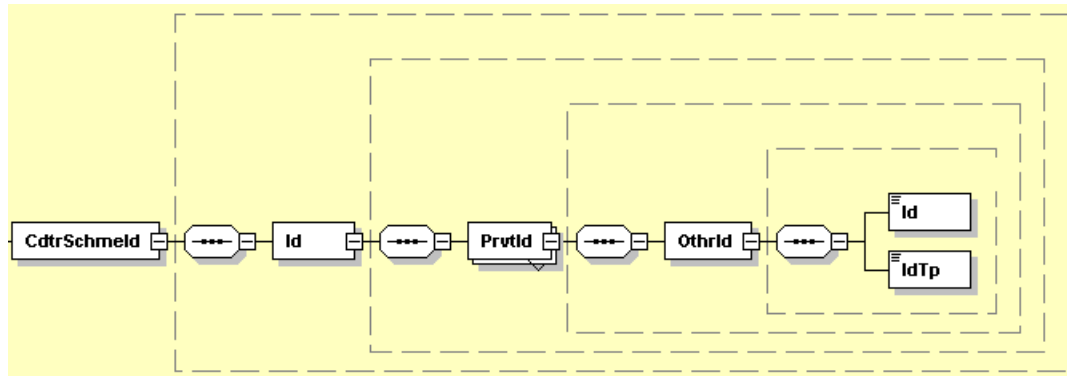
**XML Tag :** <ReqdColltnDt>

**Occurrences :** [1..1]

**Level :** 3

**Format :** YYYY-MM-DD

### 3.24 Creditor Scheme Identification



**Definition :** Credit party that signs the direct debit mandate.

**XML Tag :** <CdrSchmeld>

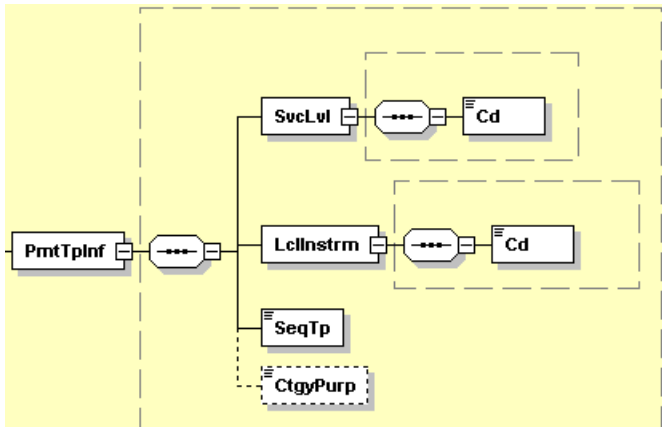
**Occurences :** [1..1]

**Level :** 3

**Format :** TAG - This message item is composed of the following elements.

Index	Occ.	LongNames	Tag	Level
3.24	[1..1]	+++ CreditorSchemeIdentification	CdrSchmeld	3
	[1..1]	++++ Identification	Id	4
	[1..1]	+++++ PrivateIdentification	PrvtId	5
	[1..1]	++++++ OtherIdentification	OthrId	6
	[1..1]	+++++++ Identification	Id	7
	[1..1]	+++++++ IdentificationType	IdTp	7

### 3.37 Payment Type Information



**Definition :** Set of elements that further specifies the type of transaction.

**XML Tag :** <PmtTpInf>

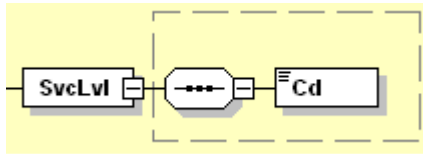
**Occurrences :** [1..1]

**Level :** 3

**Format :** TAG - This message item is composed of the following elements.

Index	Occ.	LongNames	Tag	Level
3.37	[1..1]	+++ PaymentTypeInformation	PmtTpInf	3
3.39	[1..1]	++++ ServiceLevel	SvcLvl	4
3.40	[1..1]	+++++ Code	Cd	5
3.43	[1..1]	++++ Local Instrument	LclInstrm	4
3.44	[1..1]	+++++ Code	Cd	5
3.46	[1..1]	++++ SequenceType	SeqTp	4
3.47	[0..1]	++++ CategoryPurpose	CtgPurp	4

### 3.39 Service Level



**Definition :** Agreement under which or rules under which the transaction should be processed.

**XML Tag :** <SvcLvl>

**Occurrences :** [1..1]

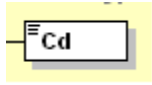
**Level :** 4

**Format :** TAG - This message item is composed of the following elements.

Index	Occ.	LongNames	Tag	Level
3.39	[1..1]	++++ ServiceLevel	SvcLvl	4
3.40	[1..1]	+++++ Code	Cd	5



### 3.40 Code



**Definition :** Identification of a pre-agreed level of service between the parties in a coded form.

**XML Tag :** <Cd>

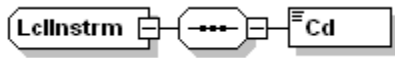
**Occurrences :** [1..1]

**Level :** 5

**Format :** Code : SEPA

SEPA (SingleEuroPaymentsArea) Payment must be executed following the Single Euro Payments Area scheme.

### 3.43 Local Instrument



**Definition :** User community specific instrument.

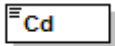
**XML Tag :** < LclInstrm >

**Occurrences :** [1..1]

**Level :** 4

**Format :** TAG

### 3.44 Code



**Definition :**

**XML Tag :** <Cd>

**Occurrences :** [1..1]

**Level :** 5

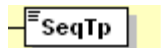
**Format :** Code – One of the following value must be used.

Code	Name	Definition
CORE	European Core Direct Debit	Direct Debits sent under the governance of SEPA Core Direct Debit Scheme Rulebook
B2B	European Business-to- Business Direct Debit	Direct Debits sent under the governance of SEPA Business-to-Business Scheme Rulebook

**Rule :** The mixing of Core Direct Debits and Business-to-Business Direct Debits is not allowed in the same message.

**Example :** <Cd>CORE</Cd>

### 3.46 Sequence Type



**Definition :** Identifies the direct debit sequence, e.g., first, recurrent, final or one-off.

**XML Tag :** <SeqTp>

**Occurrences :** [1..1]

**Level :** 4

**Format :** Code : FRST OOFF RCUR FNAL

FRST (First) First collection of a series of direct debit instructions.

OOFF (OneOff) Direct debit instruction where the debtor's authorisation is used to initiate one single direct debit transaction.

RCUR (Recurring) Direct debit instruction where the debtor's authorisation is used for regular direct debit transactions initiated by the creditor.

FNAL (Final) Final collection of a series of direct debit instructions.

### 3.47 CategoryPurpose



This Message item is part of PaymentTypeInfoInformation (3.37)

**Definition :** Specifies the purpose of the payment based on a set of pre-defined categories

**XML Tag :** <CtgyPurp>

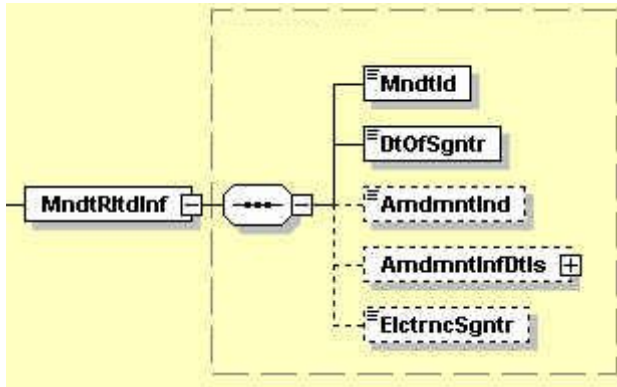
**Occurrences :** [0..1]

**Format :** Code

For a complete list of possible codes, see [Payments External Code Lists spreadsheet](http://www.iso20022.org/External_Code_Lists_and_DSS.page) at [http://www.iso20022.org/External\\_Code\\_Lists\\_and\\_DSS.page](http://www.iso20022.org/External_Code_Lists_and_DSS.page).

**Rule :** The usage and impact of these codes is to be agreed with your bank.

### 3.49 Mandate Related Information



**Definition :** Set of elements used to provide further details related to a direct debit mandate signed between the creditor and the debtor.

**XML Tag :** <MndtRltdInf>

**Occurrences :** [1..1]

**Level :** 4

**Format :** TAG - This message item is composed of the following elements.

Index	Name	XML Tag	Occ.	Format
3.49	Mandate Related Information	<MndtRltdInf>	[1..1]	TAG
3.50	Mandate Identification	<MndtId>	[1..1]	Text
3.51	Date of Signature	<DtOfSgntr>	[1..1]	Date
3.52	Amendment Indicator	<AmdmntInd>	[0..1]	Boolean
3.53	Amendment Info Details	<AmdmntInfDtls>	[0..1]	TAG

### 3.50 Mandate Identification



**Definition :** Reference of the direct debit mandate that has been signed between the debtor and the creditor.

**XML Tag :** <MndtId>

**Occurrences :** [1..1]

**Level :** 5

**Format :** Max35Text

### 3.51 Date Of Signature

**DtOfSgntr**

**Definition :** Date on which the direct debit mandate has been signed by the debtor.  
**XML Tag :** <DtOfSgntr>  
**Occurrences :** [1..1]  
**Level :** 5  
**Format :** YYYY-MM-DD

### 3.52 Amendment Indicator

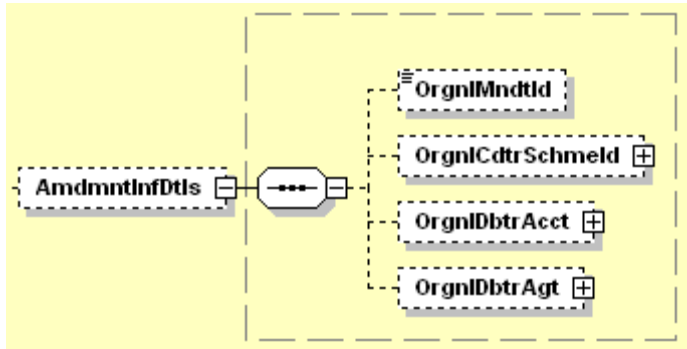
**AmdmntInd**

**Definition :** Indicator notifying whether the underlying mandate is amended or not.  
**XML Tag :** <AmdmntInd>  
**Occurrences :** [0..1]  
**Level :** 5  
**Format :** Boolean - One of the following codes must be used.

Code	Name	
TRUE	True	The mandate is amended or migrated from Dom'80
FALSE	False	The mandate is not amended

**Usage :** If not present, considered as FALSE.

### 3.53 Amendment Information Details



**Definition :** List of direct debit mandate elements that have been modified.

**XML Tag :** <AmdmntInfDtls>

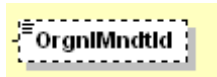
**Occurrences :** [0..1]

**Level :** 5

**Format :** TAG - This message item is composed of the following elements.

Index	Name	XML Tag	Occ.	Format
3.53	Amendment Information Details	<AmdmntInfDtls>	[0..1]	TAG
3.54	Original Mandate Identification	<OrgnlMndtId>	[0..1]	Text
3.55	Original Creditor Scheme Identification	<OrgnlCdtrSchmeId>	[0..1]	TAG
3.59	Original Debtor Account	<OrgnlDbtr>	[0..1]	TAG
3.60	Original Debtor Agent	<OrgnlDbtrAcct>	[0..1]	TAG

### 3.54 Original Mandate Identification



**Definition :** Original mandate identification that has been modified.

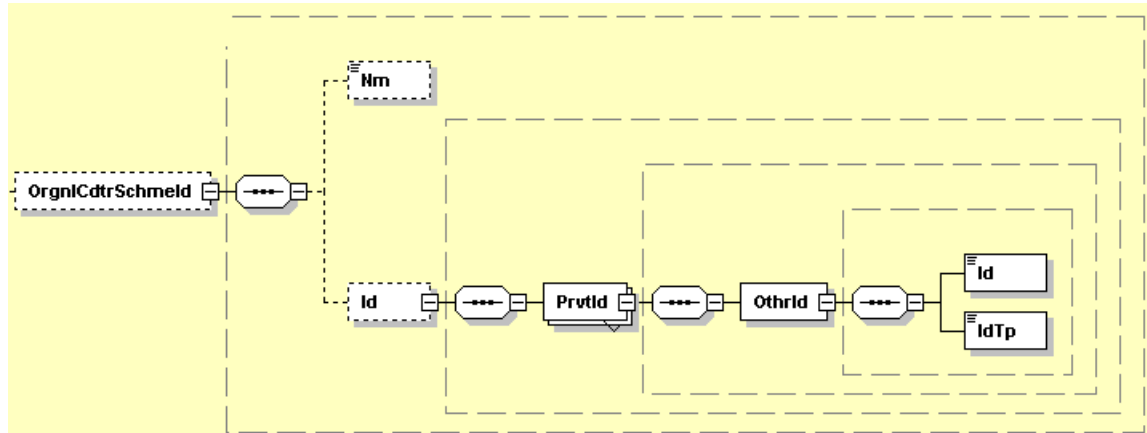
**XML Tag :** <OrgnlMndtId>

**Occurrences :** [0..1]

**Level :** 6

**Format :** Max35Text

### 3.55 Original Creditor Scheme Identification



**Definition :** Original creditor scheme identification that has been modified.

**XML Tag :** <OrgnCdtrSchmId>

**Occurences :** [0..1]

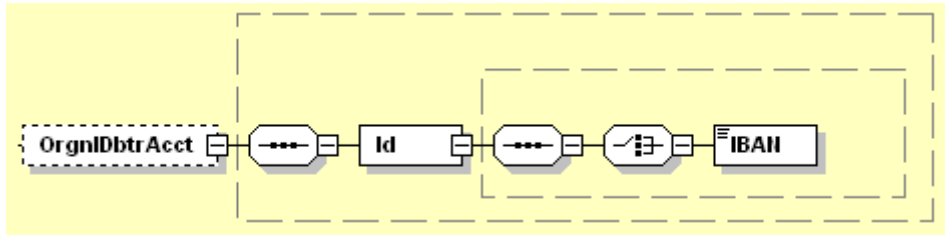
**Level :** 6

**Format :** TAG - This message item is composed of the following elements.

Index	Name	XML Tag	Occ.	Format
3.55	Original Creditor Scheme Identification	OrgnCdtrSchmId	[0..1]	TAG
	Name	Nm	[0..1]	Max70Text
	Identification	Id	[1..1]	TAG
	Private identification	PrvtId	[0..1]	TAG
	Other Identification	OthrId	[1..1]	TAG
	Identification	Id	[1..1]	Max35Text
	Identification Type	IdTp	[1..1]	Max35Text



### 3.59 Original Debtor Account



**Definition :** Original debtor account that has been modified.

**XML Tag :** <OrgnDbtrAcct>

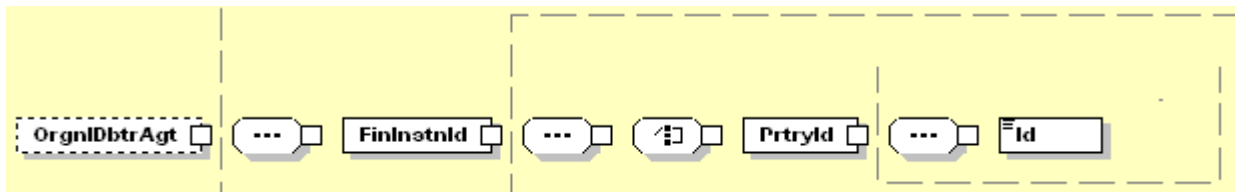
**Occurrences :** [0..1]

**Level :** 6

**Format :** TAG - This message item is composed of the following elements.

Index	Name	XML Tag	Occ.	Format
3.59	Original Debtor Account	OrgnDbtrAcct	[0..1]	TAG
	Identification	Id	[1..1]	TAG
	IBAN	IBAN	[1..1]	IBAN format

### 3.60 Original Debtor Agent



**Definition :** Original debtor's agent that has been modified.

**XML Tag :** OrgnDbtrAgt

**Occurrences :** [0..1]

**Level :** 6

**Format :** TAG - This message item is composed of the following elements.

Index	Name	XML Tag	Occ.	Format
3.60	Original Debtor Agent	OrgnDbtrAgt	[0..1]	TAG
	FinancialInstitutionIdentification	FinInstId	[1..1]	TAG
	Proprietary ID	PrtryId	[1..1]	TAG
	ID	Id	[1..1]	"SMNDA"

### 3.64 Electronic Signature



**Definition :** Digital signature as provided by the creditor.

**XML Tag :** <ElctrncSgntr>

**Occurrences :** [0..1]

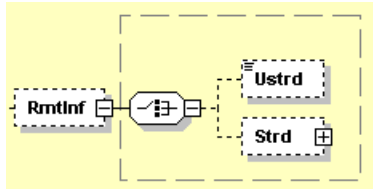
**Level :** 4

**Format :** max35Text

**Usage :**

- If the direct debit is based on an electronic mandate, this data element must contain the reference of the Mandate Acceptance Report
- If the direct debit is based on a paper mandate, this data element is not allowed

### 3.68 Remittance Information



**Definition :** Information supplied to enable the matching of an entry with the items that the transfer is intended to settle, eg, commercial invoices in an accounts' receivable system.

**XML Tag :** <RmtInf>

**Occurrences :** [0..1]

**Level :** 3

**Format :** TAG - This message item is composed of the following elements.

Index	Occ.	LongNames	Tag	Level
3.68	[0..1]	+++ RemittanceInformation	RmtInf	3
3.69	[0..1] {OR,	++++ Unstructured	Ustrd	4
3.70	[0..1] OR}	++++ Structured	Strd	4

### 3.69 Unstructured



**Definition :** Information supplied to enable the matching of an entry with the items that the transfer is intended to settle, eg, commercial invoices in an accounts' receivable system in an unstructured form.

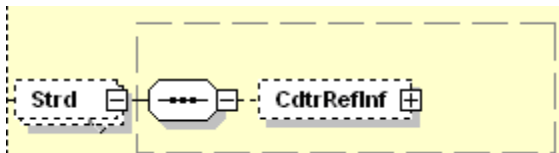
**XML Tag :** <Ustrd>

**Occurrences :** [0..1]

**Level :** 4

**Format :** text | minLength: 1 maxLength: 140

### 3.70 Structured



**Definition :** Information supplied to enable the matching of an entry with the items that the transfer is intended to settle, eg, commercial invoices in an accounts' receivable system in a structured form.

**XML Tag :** <Strd>

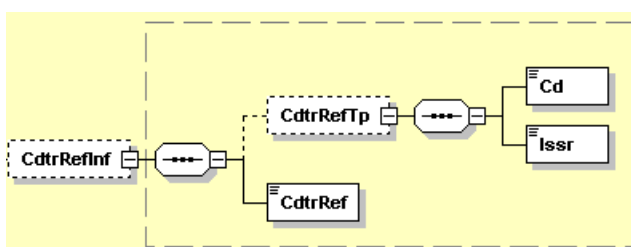
**Occurrences :** [0..1]

**Level :** 4

**Format :** TAG - This message item is composed of the following elements.

Index	Occ.	LongNames	Tag	Level
3.70	[0..1]	++++ Structured	Strd	4
3.84	[1..1]	+++++ CreditorReferenceInformation	CdtrRefInf	5
3.85	[0..1]	++++++ CreditorReferenceType	CdtrRefTp	6
3.86	[1..1]	+++++++ Code	Cd	7
3.88	[1..1]	+++++++ Issuer	Issr	7
3.89	[1..1]	+++++++ CreditorReference	CdtrRef	6

### 3.84 Creditor Reference Information



**Definition :** Reference information provided by the creditor to allow the identification of the underlying documents.

**XML Tag :** <CdtrRefInf>

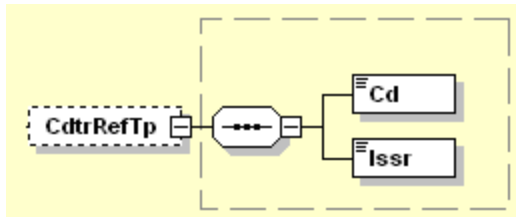
**Occurrences :** [0..1]

**Level :** 5

**Format :** TAG - This message item is composed of the following elements.

Index	Occ.	LongNames	Tag	Level
3.84	[0..1]	+++++ CreditorReferenceInformation	CdtrRefInf	5
3.85	[0..1]	++++++ CreditorReferenceType	CdtrRefTp	6
3.86	[1..1]	+++++++ Code	Cd	7
3.88	[1..1]	+++++++ Issuer	Issr	7
3.89	[1..1]	+++++++ CreditorReference	CdtrRef	6

### 3.85 Creditor Reference Type



**Definition :** Provides the type of the creditor reference.

**XML Tag :** <CdtrRefTp>

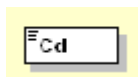
**Occurrences :** [0..1]

**Level :** 6

**Format :** TAG - This message item is composed of the following elements.

Index	Occ.	LongNames	Tag	Level
3.85	[0..1]	+++++++ CreditorReferenceType	CdtrRefTp	6
3.86	[1..1]	+++++++ Code	Cd	7
3.88	[1..1]	+++++++ Issuer	Issr	7

### 3.86 Code



**Definition :** Coded creditor reference type.

**XML Tag :** <Cd>

**Occurrences :** [1..1]

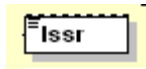
**Level :** 7

**Format :** Code : SCOR

If the Belgian Structured Communication is used the following value must be used as Code for CreditorReferenceType :

Code	Name	
SCOR	StructuredCommunication Reference	Document is a structured communication reference provided by the creditor to identify the referred transaction.

### 3.88 Issuer



**Definition :** Identification of the issuer of the credit reference type.

**XML Tag :** Issr

**Occurrences :** [1..1]

**Level :** 7

**Format :** Max35Text

If the Belgian Structured Communication is used the following value must be used as Issuer for CreditorReferenceType :

Issuer	Name	
BBA	The Belgian Bankers' and Stockbroking Firms' Association	The Belgian Bankers' and Stockbroking Firms' Association

### 3.89 Creditor Reference



**Definition :** Unique and unambiguous reference assigned by the creditor to refer to the payment transaction.

**Usage:** If available, the initiating party should provide this reference in the structured remittance information, to enable reconciliation by the creditor upon receipt of the cash.

**XML Tag :** <CdtrRef>

**Occurrences :** [1..1]

**Level :** 6

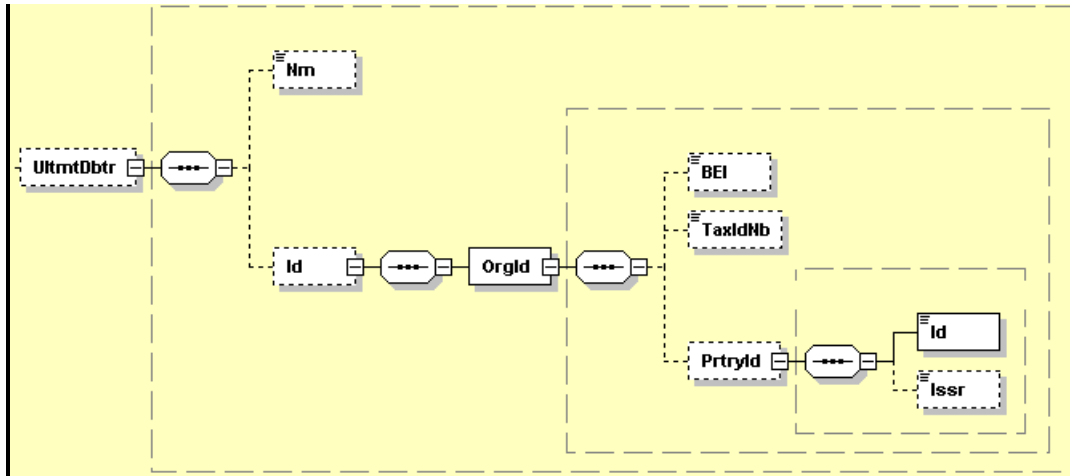
**Format :** Max35Text

**Example :**

```

<CdtrRefInf>
  <CdtrRefTp>
    <Cd>SCOR</Cd>
    <Issr> BBA</Issr>
  </CdtrRefTp>
  <CdtrRef>010806817183</CdtrRef>
</CdtrRefInf>
  
```

### 3.93 Ultimate Debtor



**Definition :** Ultimate party that owes an amount of money to the (ultimate) creditor. Ultimate Debtor is only to be used if different from Debtor.

**XML Tag :** <UltmtDbtr>

**Occurrences :** [0..1]

**Level :** 3

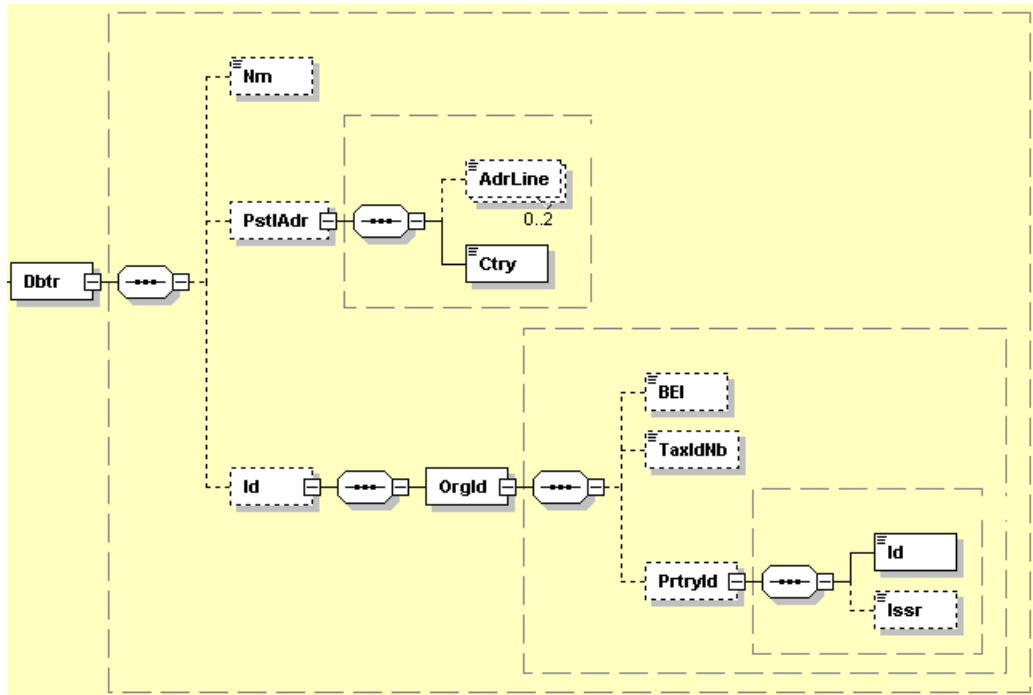
**Format :** This message item consists of the following elements :

Index	Occ.	LongNames	Tag	Level
3.93	[0..1]	+++ Ultimate Debtor	UltmtDbtr	3
	[0..1]	++++ Name	Nm	4
	[0..1]	++++ Identification	Id	4
	[1..1]	+++++ Organization Identification	OrgId	5
	[0..1] {Or	++++++ Business Entity Identifier (BEI)	BEI	5
	[0..1] Or	++++++ Tax Identification Number	TaxIdNb	5
	[0..1] Or}	++++++ Proprietary Identification	PrtryId	5
	[1..1]	++++++ Identification	Id	6
	[0..1]	++++++ Issuer	Issr	6

**Rule :** - If used for Belgian companies, Identification (within ProprietaryIdentification) must contain the Enterprise Number (10 digits) and as Issuer "KBO-BCE".



### 3.94 Debtor



**Definition :** Party that owes an amount of money to the (ultimate) creditor.

**XML Tag :** <Dbtr>

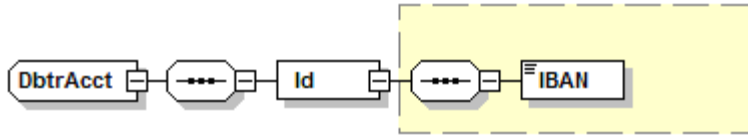
**Occurrences :** [1..1]

**Level :** 3

**Format :** TAG - This message item is composed of the following elements.

Index	Occ.	LongNames	Tag	Level
3.94	[1..1]	+++ Debtor	Dbtr	3
	[0..1]	++++ Name	Nm	4
	[0..1]	++++ PostalAddress	PstlAdr	4
	[0..2]	+++++ AddressLine	AdrLine	5
	[1..1]	+++++ Country	Ctry	5
	[0..1]	++++ Identification	Id	4
	[1..1]	+++++ Organization Identification	OrgId	5
	[0..1]{Or	+++++ Business Entity Identifier (BEI)	BEI	5
	[0..1]Or	+++++ Tax Identification Number	TaxIdNb	5
	[0..1]Or}	+++++ Proprietary Identification	PrtryId	5
	[1..1]	+++++ Identification	Id	6
	[0..1]	+++++ Issuer	Issr	6

### 3.95 Debtor Account



**Definition :** Unambiguous identification of the account of the debtor to which a debit entry will be made as a result of the transaction.

**XML Tag :** <DbtrAcct>

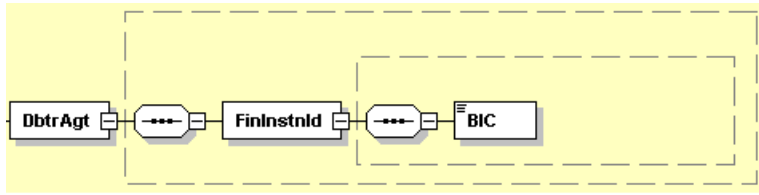
**Occurences :** [1..1]

**Level :** 3

**Format :** TAG - This message item is composed of the following elements.

Index	Occ.	LongNames	Tag	Level
3.95	[1..1]	+++ DebtorAccount	DbtrAcct	3
	[1..1]	++++ Identification	Id	4
	[1..1]	+++++ IBAN	IBAN	5

### 3.96 Debtor Agent



**Definition :** Financial institution servicing an account for the debtor.

**XML Tag :** <DbtrAgt>

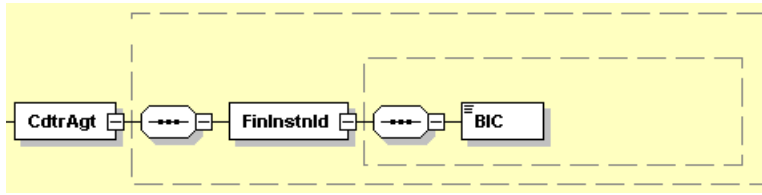
**Occurrences :** [1..1]

**Level :** 3

**Format :** TAG - This message item is composed of the following elements.

Index	Occ.	LongNames	Tag	Level
3.96	[1..1]	+++ DebtorAgent	DbtrAgt	3
	[1..1]	++++ FinancialInstitutionIdentification	FinInstnId	4
	[1..1]	+++++ BIC	BIC	5

### 3.98 Creditor Agent



**Definition :** Financial institution servicing an account for the creditor.

**XML Tag :** <CdtrAgt>

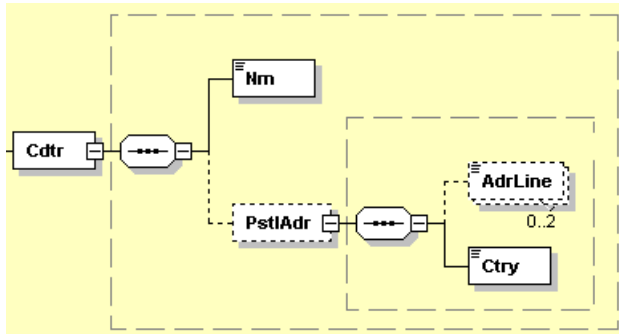
**Occurrences :** [1..1]

**Level :** 3

**Format :** TAG - This message item is composed of the following elements.

Index	Occ.	LongNames	Tag	Level
3.98	[1..1]	+++ CreditorAgent	CdtrAgt	3
	[1..1]	++++ FinancialInstitutionIdentification	FinInstnId	4
	[1..1]	+++++ BIC	BIC	5

### 3.100 Creditor



**Definition :** Party to which an amount of money is due (in the original transaction).

**XML Tag :** <Cdtr>

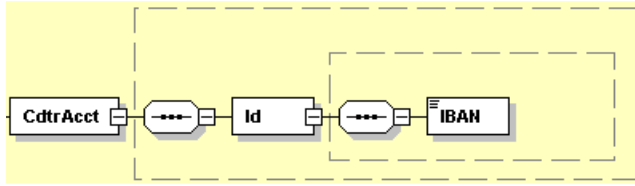
**Occurences :** [1..1]

**Level :** 3

**Format :** TAG - This message item is composed of the following elements.

Occ.	LongNames	Tag	Level
[1..1]	+++ Creditor	Cdtr	3
[1..1]	++++ Name	Nm	4
[0..1]	+++++PostalAddress	PstlAdr	5
[0..2]	++++++AddressLine	AdrLine	6
[1..1]	++++++Country	Ctry	6

### 3.101 Creditor Account



**Definition :** Unambiguous identification of the account of the creditor to which a credit entry was or should be posted as a result of the direct debit transaction.

**XML Tag :** <CdtrAcct>

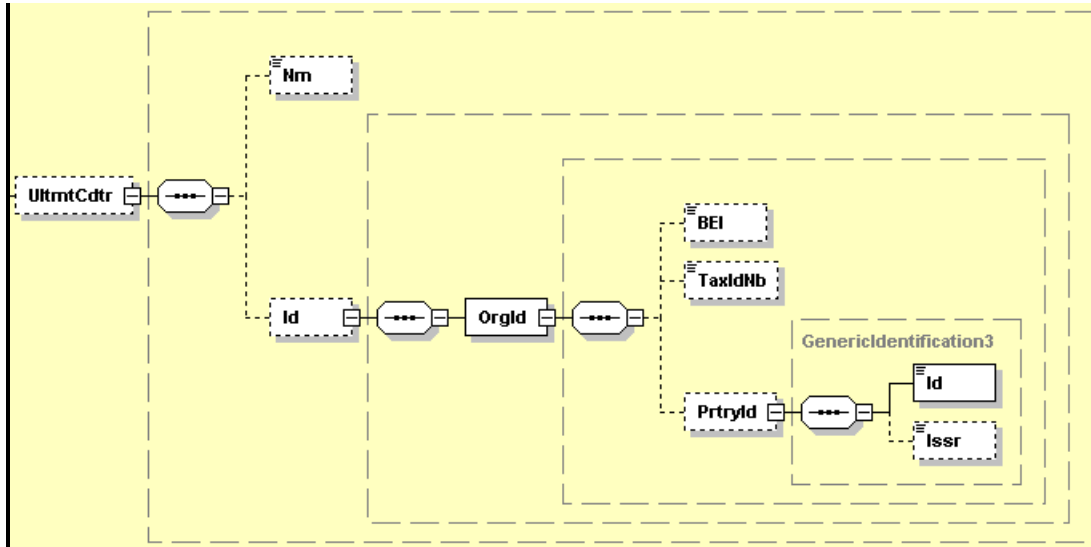
**Occurrences :** [1..1]

**Level :** 3

**Format :** TAG - This message item is composed of the following elements.

Index	Occ.	LongNames	Tag	Level
3.101	[1..1]	+++ CreditorAccount	CdtrAcct	3
	[1..1]	++++ Identification	Id	4
	[1..1]	+++++ IBAN	IBAN	5

### 3.102 Ultimate Creditor



**Definition :** Ultimate party to which an amount of money is due. Ultimate Creditor is only to be used if different from Creditor.

**XML Tag :** <UltmtCdtr>

**Occurrences :** [0..1]

**Level:** 3

**Format :** This message item consists of the following elements :

Index	Occ.	LongNames	Tag	Level
3.102	[0..1]	+++ Ultimate Creditor	UltmtCdtr	3
	[0..1]	++++ Name	Nm	4
	[0..1]	++++ Identification	Id	4
	[1..1]	+++++ Organization Identification	OrgId	5
	[0..1]{Or	++++++ Business Entity Identifier (BEI)	BEI	5
	[0..1]Or	++++++ Tax Identification Number	TaxIdNb	5
	[0..1]Or}	++++++ Proprietary Identification	PrtryId	5
	[1..1]	++++++ Identification	Id	6
	[0..1]	++++++ Issuer	Issr	6

**Rule :** - If used for Belgian companies, Identification (within ProprietaryIdentification) must contain the Enterprise Number (10 digits) and as Issuer "KBO-BCE".

## 4 Examples

### 4.1 Example 1 of Reversal/Cancel

In this example, the initiation message mentioned in the Febelfin-document *"XML Message for European Direct Debit Initiation – Core and Business-to-Business Implementation Guidelines, Version 1.1"* under chapter 3.1 is being reversed/cancelled.

```
<?xml version="1.0" encoding="UTF-8" ?>
<!--Sample XML file-->
<Documentxmlns="urn:iso:std:iso:20022:tech:xsd:pain.007.001.01"
  xmlns:xsi="http://www.w3.org/2001/XMLSchema-instance"
  xsi:schemaLocation="urn:iso:std:iso:20022:tech:xsd:pain.007.001.01
  C:\DOCUME~1\INDET\Desktop\pain.007.001.01.xsd">
  <pain.007.001.01>
    <GrpHdr>
      <MsgId>AZERTY12345</MsgId>
      <CreDtTm>2009-12-05T09:30:47</CreDtTm>
      <BtchBookg>true</BtchBookg>
      <NbOfTxs>1</NbOfTxs>
      <InitgPty>
        <Nm>Cobelfac</Nm>
        <Id>
          <OrgId>
            <PrtryId>
              <Id>0468651441</Id>
              <Issr>KBO-BCE</Issr>
            </PrtryId>
          </OrgId>
        </Id>
      </InitgPty>
      <CdtrAgt>
        <FinInstnId>
          <BIC>BBRUBEBB</BIC>
        </FinInstnId>
      </CdtrAgt>
    </GrpHdr>
    <OrgnlGrpInf>
      <OrgnlMsgId>ABC123456</OrgnlMsgId>
      <OrgnlMsgNmId>pain.008.001.01</OrgnlMsgNmId>
```



```
<RvslRsnInf>
  <RvslRsn>
    <Cd>MD05</Cd>
  </RvslRsn>
</RvslRsnInf>
</OrgnlGrpInf>
<TxInf>
  <RvslId>ID12345</RvslId>
  <OrgnlPmtInfId>ABCD1234567</OrgnlPmtInfId>
  <OrgnlEndToEndId>ISB12345</OrgnlEndToEndId>
  <OrgnlInstdAmt Ccy="EUR">4723.34</OrgnlInstdAmt>
  <RvsdInstdAmt Ccy="EUR">4723.34</RvsdInstdAmt>
  <OrgnlTxRef>
    <ReqdColltnDt>2009-12-05</ReqdColltnDt>
    <CdtrSchmeId>
      <Id>
        <PrvtId>
          <OthrId>
            <Id>BE80123456789012</Id>
            <IdTp>SEPA</IdTp>
          </OthrId>
        </PrvtId>
      </Id>
    </CdtrSchmeId>
    <PmtTpInf>
      <SvcLvl>
        <Cd>SEPA</Cd>
      </SvcLvl>
      <LclInstrm>
        <Cd>CORE</Cd>
      </LclInstrm>
      <SeqTp>FRST</SeqTp>
    </PmtTpInf>
    <MndtRltdInf>
      <MndtId>BE123456789</MndtId>
      <DtOfSgntr>2009-12-02</DtOfSgntr>
```

```
<AmdmntInd>true</AmdmntInd>
<AmdmntInfDtls>
  <OrgnlMndtId>DOM80123456789012</OrgnlMndtId>
  <OrgnlCdtrSchmeId>
    <Id>
      <PrvtId>
        <OthrId>
          <Id>DOM801234567890</Id>
          <IdTp>SEPA</IdTp>
        </OthrId>
      </PrvtId>
    </Id>
  </OrgnlCdtrSchmeId>
</AmdmntInfDtls>
</MndtRltdInf>
<RmtInf>
  <Strd>
    <CdtrRefInf>
      <CdtrRefTp>
        <Cd>SCOR</Cd>
        <Issr>BBA</Issr>
      </CdtrRefTp>
      <CdtrRef>010806817183</CdtrRef>
    </CdtrRefInf>
  </Strd>
</RmtInf>
<UltmtDbtr>
  <Nm>Ultimate Debtor</Nm>
</UltmtDbtr>
<Dbtr>
  <Nm>Debtor</Nm>
</Dbtr>
<DbtrAcct>
  <Id>
    <IBAN>BE68539033347034</IBAN>
  </Id>
```

```
</DbtrAcct>
<DbtrAgt>
  <FinInstnId>
    <BIC>ABCDBEBB</BIC>
  </FinInstnId>
</DbtrAgt>
<CdtrAgt>
  <FinInstnId>
    <BIC>BBRUBEBB</BIC>
  </FinInstnId>
</CdtrAgt>
<Cdtr>
  <Nm>AAAAAAAAAA</Nm>
  <PstlAdr>
    <AdrLine>Rue des electrons 10</AdrLine>
    <AdrLine>1000 Bruxelles</AdrLine>
    <Ctry>BE</Ctry>
  </PstlAdr>
</Cdtr>
<CdtrAcct>
  <Id>
    <IBAN>BE68539007547034</IBAN>
  </Id>
</CdtrAcct>
</OrgnlTxRef>
</TxInf>
</pain.007.001.01>
</Document>
```

## 4.2 Example 2 : Reversal/Cancel of Recurrent Direct Debit

In this example, the initiation message mentioned in the Febelfin-document “XML Message for European Direct Debit Initiation – Core and Business-to-Business Implementation Guidelines, Version 1.1” under chapter 3.2 is being reversed/cancelled.

```
<?xml version="1.0" encoding="UTF-8" ?>
<!--Sample XML file-->
<Documentxmlns="urn:iso:std:iso:20022:tech:xsd:pain.007.001.01"
  xmlns:xsi="http://www.w3.org/2001/XMLSchema-instance"
  xsi:schemaLocation="urn:iso:std:iso:20022:tech:xsd:pain.007.001.01
  C:\DOCUME~1\INDET\Desktop\pain.007.001.01.xsd">
  <pain.007.001.01>
    <GrpHdr>
      <MsgId>QWERTY12345</MsgId>
      <CreDtTm>2010-01-06T09:30:47</CreDtTm>
      <BtchBookg>true</BtchBookg>
      <NbOfTxs>1</NbOfTxs>
      <InitgPty>
        <Nm>Cobelfac</Nm>
        <Id>
          <OrgId>
            <PrtryId>
              <Id>0468651441</Id>
              <Issr>KBO-BCE</Issr>
            </PrtryId>
          </OrgId>
        </Id>
      </InitgPty>
      <CdtrAgt>
        <FinInstnId>
          <BIC>BBRUBEBB</BIC>
        </FinInstnId>
      </CdtrAgt>
    </GrpHdr>
    <OrgnlGrpInf>
      <OrgnlMsgId>ABC123456</OrgnlMsgId>
      <OrgnlMsgNmId>pain.008.001.01</OrgnlMsgNmId>
      <RvslRsnInf>
        <RvslRsn>
```

```
        <Cd>MD05</Cd>
      </RvsIRsn>
    </RvsIRsnInf>
  </OrgnlGrpInf>
  <TxInf>
    <RvsId>ID6789</RvsId>
    <OrgnlPmtInfId>ABCD1234567</OrgnlPmtInfId>
    <OrgnlEndToEndId>ISB12345</OrgnlEndToEndId>
    <OrgnlInstdAmt Ccy="EUR">4723.34</OrgnlInstdAmt>
    <RvsdInstdAmt Ccy="EUR">4723.34</RvsdInstdAmt>
    <OrgnlTxRef>
      <ReqdColltnDt>2010-01-05</ReqdColltnDt>
      <CdtrSchmeId>
        <Id>
          <PrvtId>
            <OthrId>
              <Id>BE80123456789012</Id>
              <IdTp>SEPA</IdTp>
            </OthrId>
          </PrvtId>
        </Id>
      </CdtrSchmeId>
      <PmtTpInf>
        <SvcLvl>
          <Cd>SEPA</Cd>
        </SvcLvl>
        <LclInstrm>
          <Cd>CORE</Cd>
        </LclInstrm>
        <SeqTp>RCUR</SeqTp>
      </PmtTpInf>
      <MndtRltdInf>
        <MndtId>BE123456789</MndtId>
        <DtOfSgntr>2009-12-02</DtOfSgntr>
      </MndtRltdInf>
      <RmtInf>
```

<UStrd>Invoice number 56 – CN 12AF263 – DEC  
2009</UStrd>

</RmtInf>

<UltmtDbtr>

<Nm>Ultimate Debtor</Nm>

</UltmtDbtr>

<Dbtr>

<Nm>Debtor</Nm>

</Dbtr>

<DbtrAcct>

<Id>

<IBAN>BE68539033347034</IBAN>

</Id>

</DbtrAcct>

<DbtrAgt>

<FinInstnId>

<BIC>ABCDBEBB</BIC>

</FinInstnId>

</DbtrAgt>

<CdtrAgt>

<FinInstnId>

<BIC>BBRUBEBB</BIC>

</FinInstnId>

</CdtrAgt>

<Cdtr>

<Nm>AAAAAAAAAA</Nm>

</Cdtr>

<CdtrAcct>

<Id>

<IBAN>BE68539007547034</IBAN>

</Id>

</CdtrAcct>

</OrgnlTxRef>

</TxInf>

</pain.007.001.01>

</Document>



[www.febelfin.be](http://www.febelfin.be)



Belgian Financial sector Federation

Rue d'Arlon/Aarlenstraat 82 | 1040 Brussels  
T 02 507 68 11 | [info@febelfin.be](mailto:info@febelfin.be) | [www.febelfin.be](http://www.febelfin.be)